

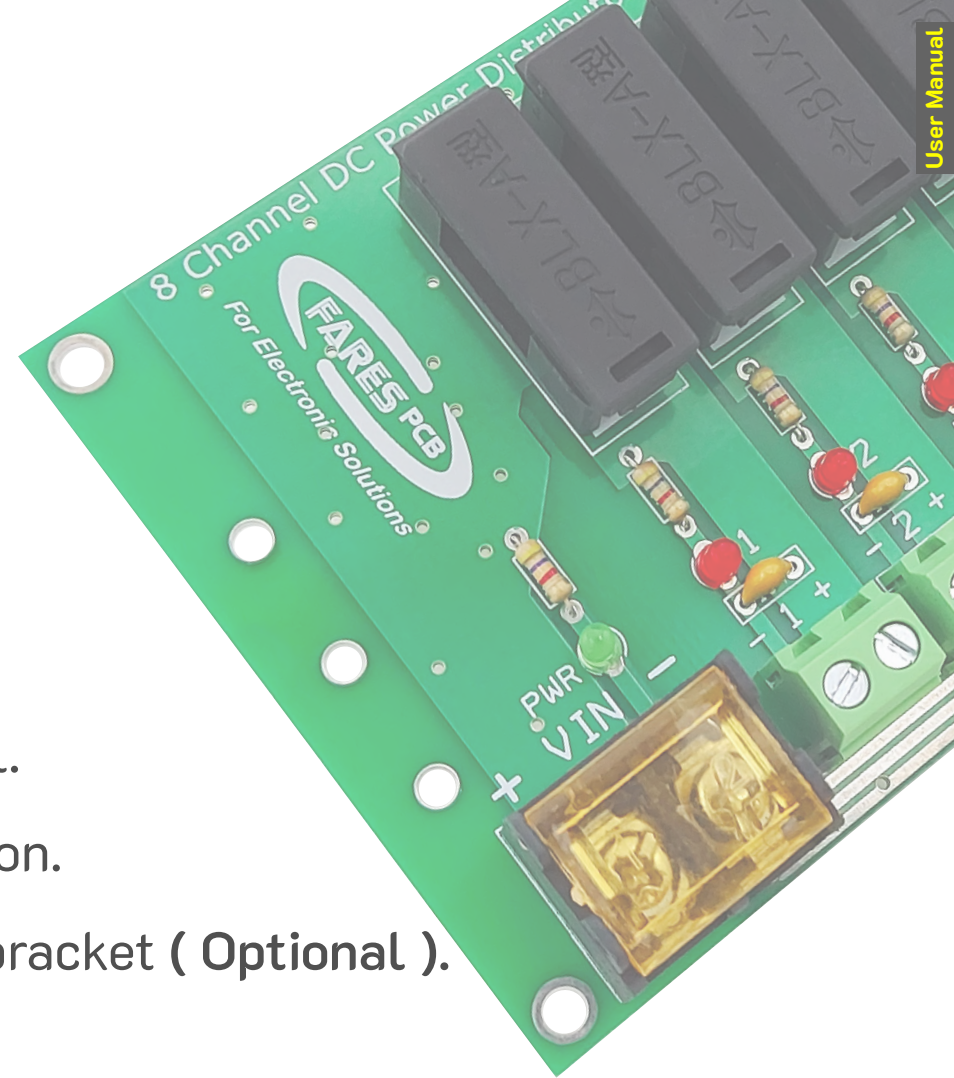
8 Channel DC Power Distributor

General Description

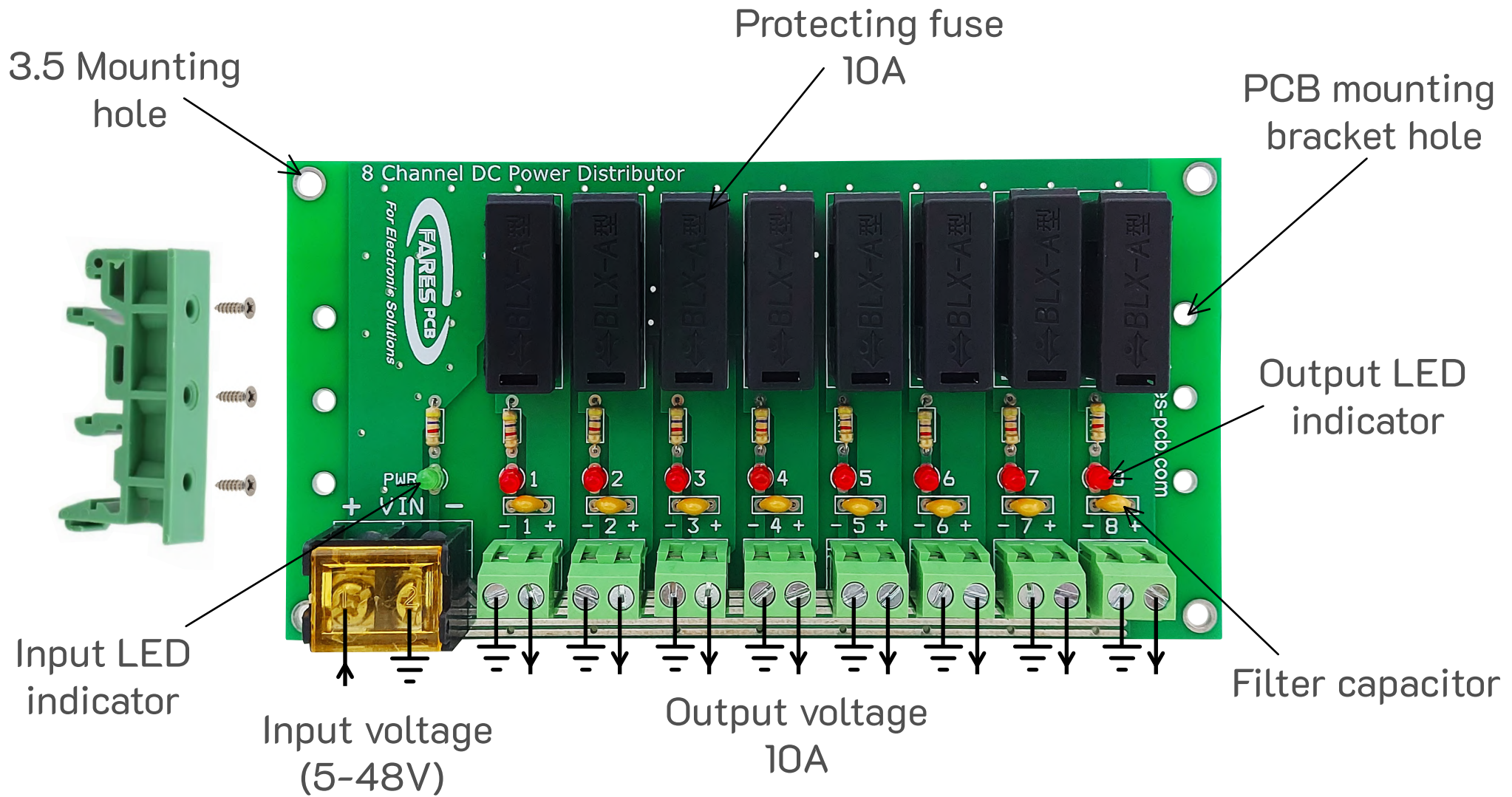
This module is a generic 8-Channel DC power fuse distribution board. It supports wide input voltage range (5-48V) and up to 10A current per channel. Input voltage is provided through a 9.5mm pitch block terminal and indicated by a green LED. Output voltage is provided through a 5mm pitch KF128 terminal. Each output is filtered and indicated by a red LED. All input and output information (number and polarity) are clearly shown on the board. This module offers DIN Rail mounting options for easy installation.

Features

- Operating voltage: 5~48 DCV.
- Maximum output current: 10A/Channel.
- Protection fuse for each channel.
- Green LED indicator for input voltage.
- Red LED indicator for each output voltage.
- 100nF filter capacitor for each output channel.
- Four 3.5mm mounting holes for easy installation.
- DIN Rail mounting using PCB carrier or PCB bracket (Optional).
- Dimension: 143 x 72 x 20 mm.



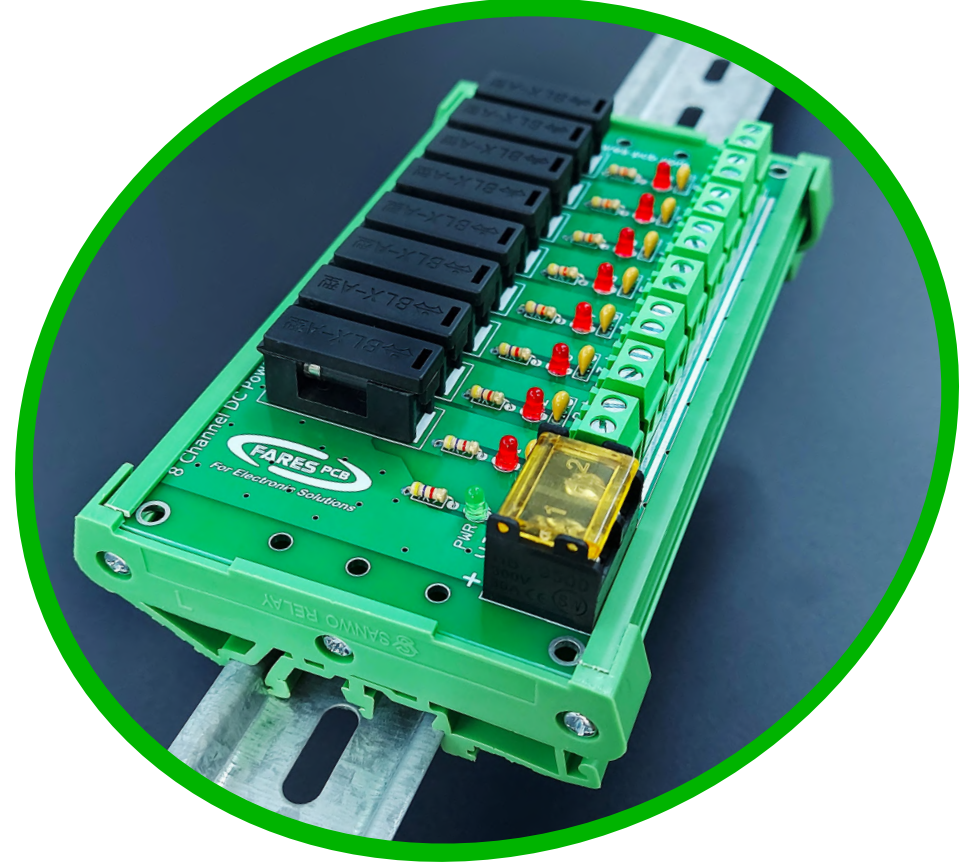
Board Details



DIN Rail Mounting Options

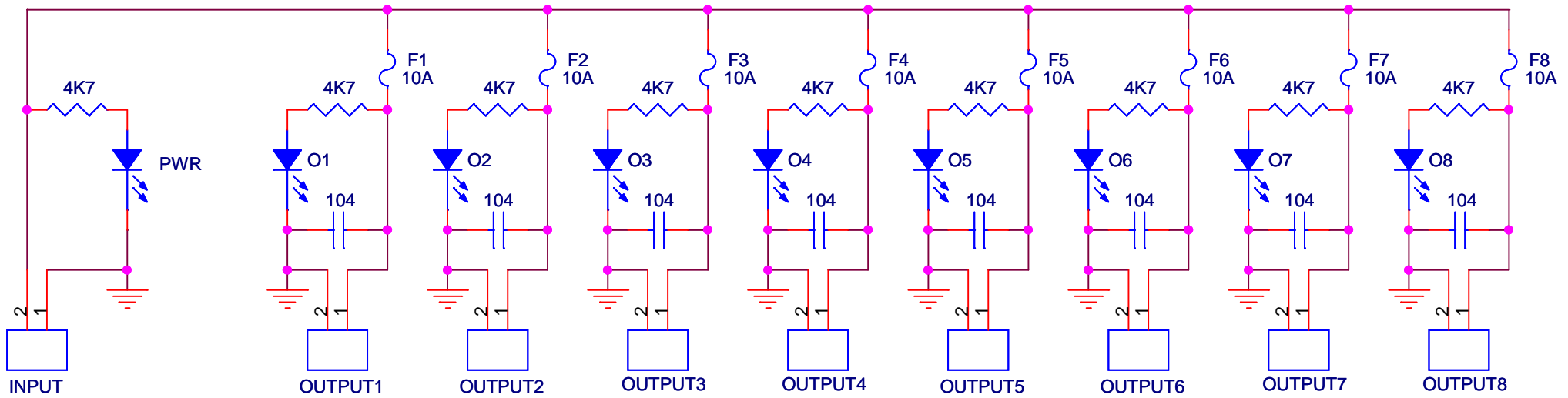


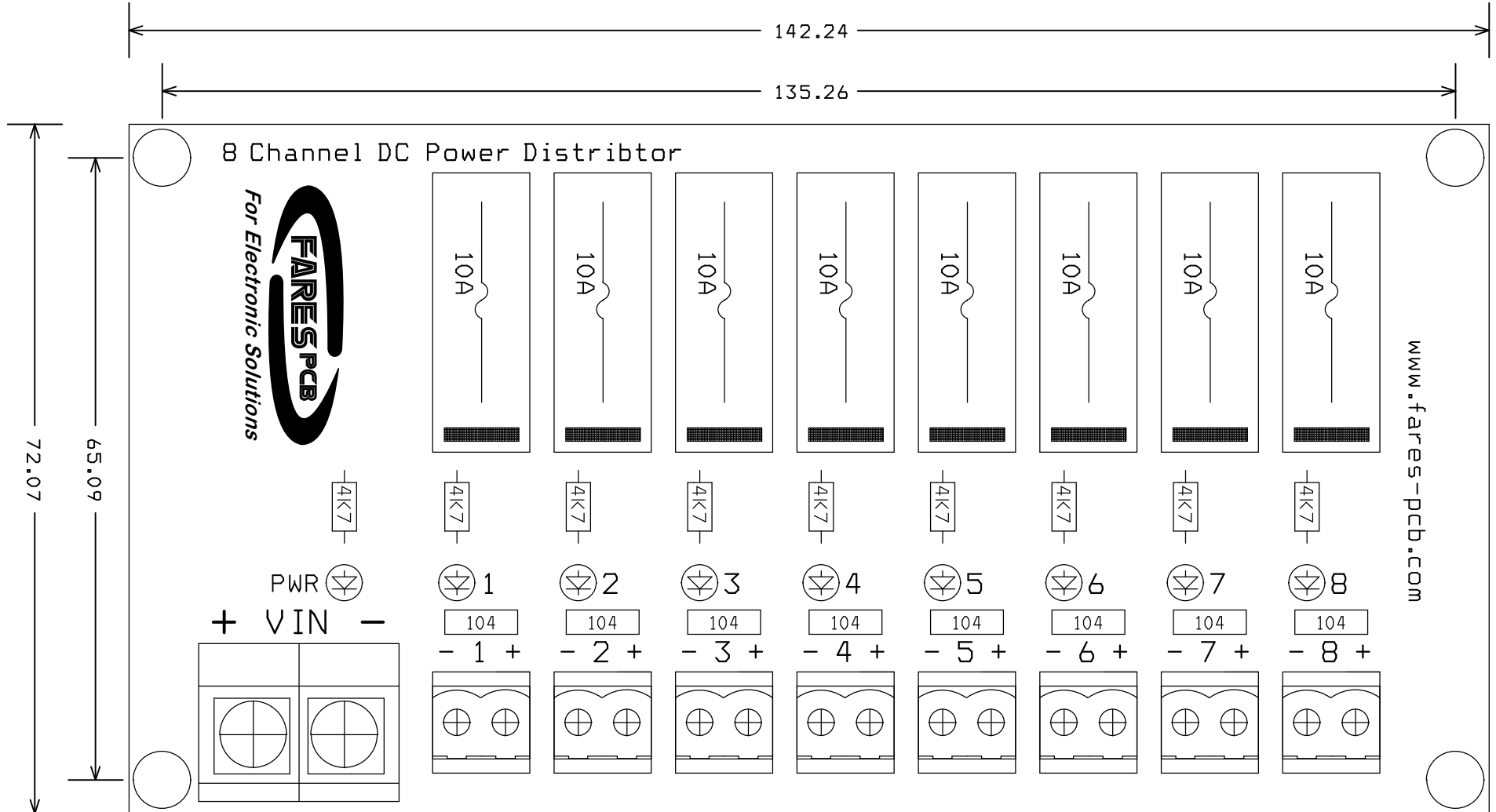
PCB Bracket



PCB Carrier

Schematic Diagram





All Dimensions are in mm

Mechanical Dimensions Diagram

For our full range of products, see our website at <http://www.fares-pcb.com>

If you have any technical questions about our products,
e-mail us at www.support@fares-pcb.com

FARESPCB co. (Head office)

32 El-Falaky st, Bab El-Louq, Tahrir, Cairo, Egypt.

Tel: +202-23904484

Mob: +201000652977

Mob: +201022457902

FARESPCB Co reserves the right to make changes in circuit design, software and/or specifications at any time without prior notice. For the latest updated information, please visit our website at <http://www.fares-pcb.com>.

Information furnished by is believed to be accurate and reliable. However, **FARESPCB** assumes no responsibility arising from the use of the specifications described.

Distributor:

RAM Electronics

32 El Falaky St. Bab El Louk, Tahrir, Cairo, Egypt

Tel: +202-27960551

www.ram.com.eg

Sales@ram-electronics.com.

RAM[®] Electronics
INTEGRATED SOLUTIONS AT ONE PLACE